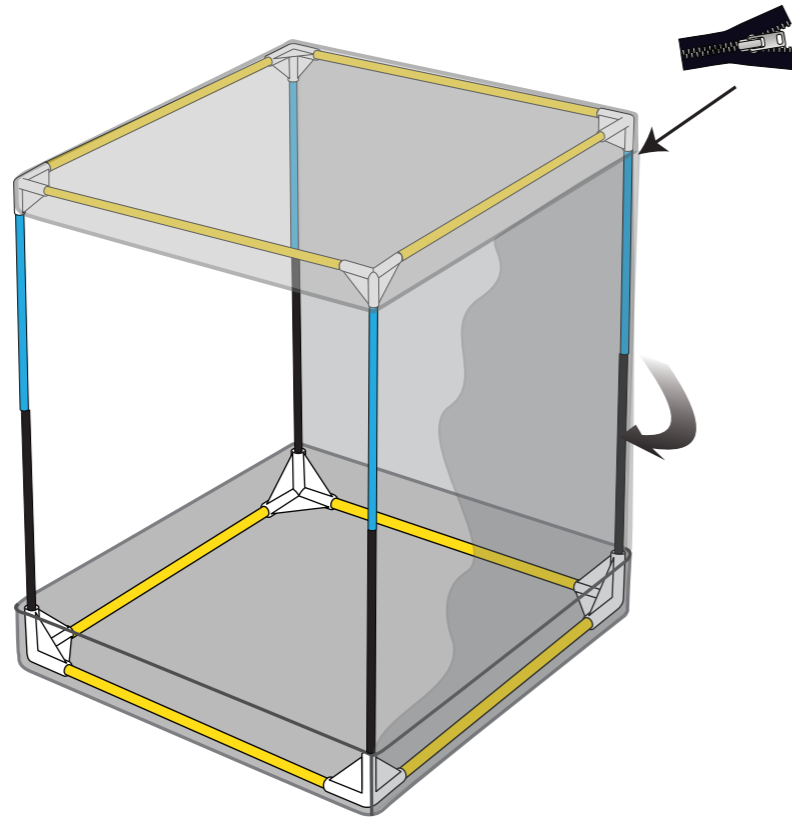


**Step 5**

Close tent zip starting top right as shown.



**Assembly Instructions**

One Person Assembly

  
 mammothtents.nl  
 Classic+ 60 80 100 120 150

# Mammoth Classic+

## 60, 80, 100, 120, 150

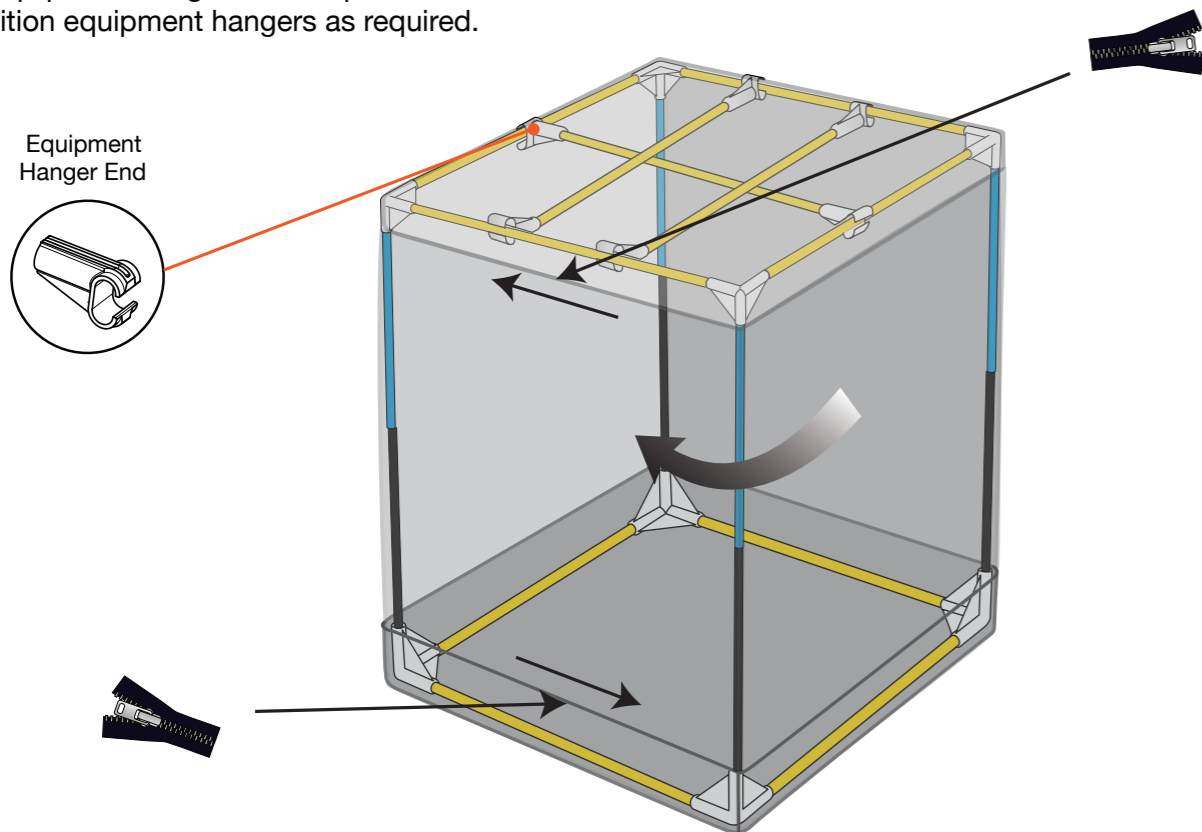
### Assembly Guide

Equipment Hangers




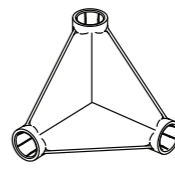
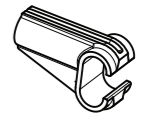


**Step 6**

Close tent zip top to bottom as shown.  
Fit equipment hanger ends to poles.  
Position equipment hangers as required.



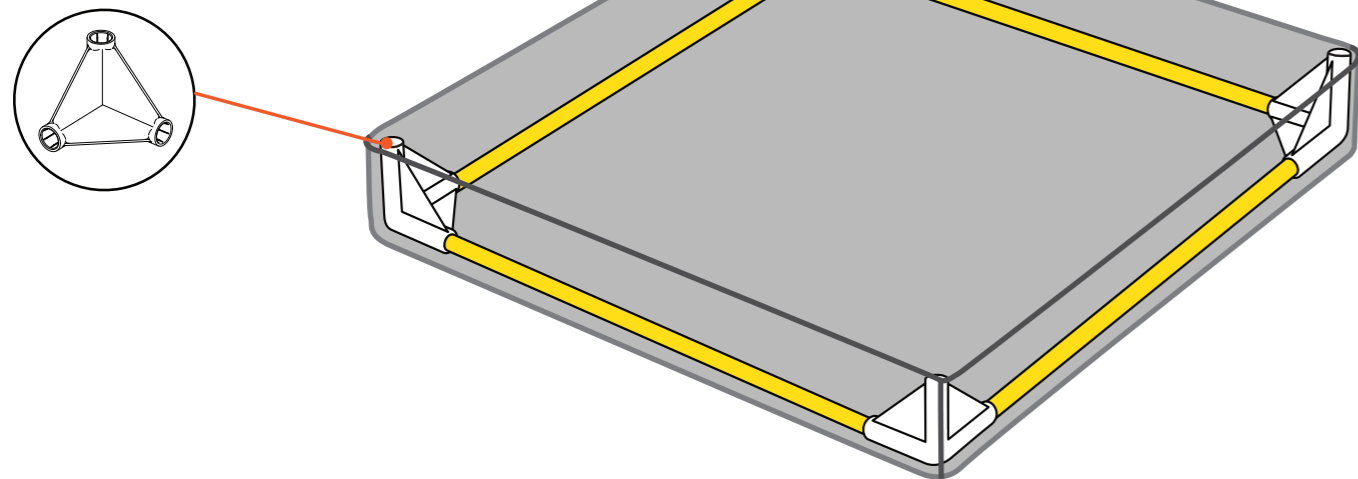
**Parts List**

-   
Yellow Pole  
x11
-   
Blue Pole  
x4
-   
Black Pole  
x4
-   
3-Way  
Corner  
x8
-   
Equipment  
Hanger Ends  
x6

### Step 1

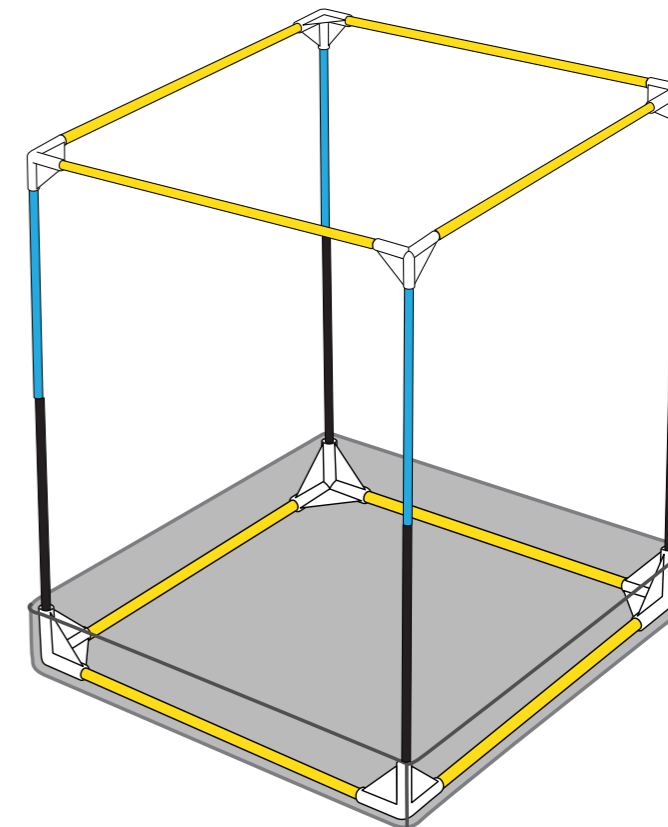
Organise poles and connectors into their colours and groups.  
Unzip and lay out tent.  
Locate floor section and lay flat with edge sections vertical.  
Assemble floor poles and 3-way corners as shown.

3-Way Corner



### Step 3

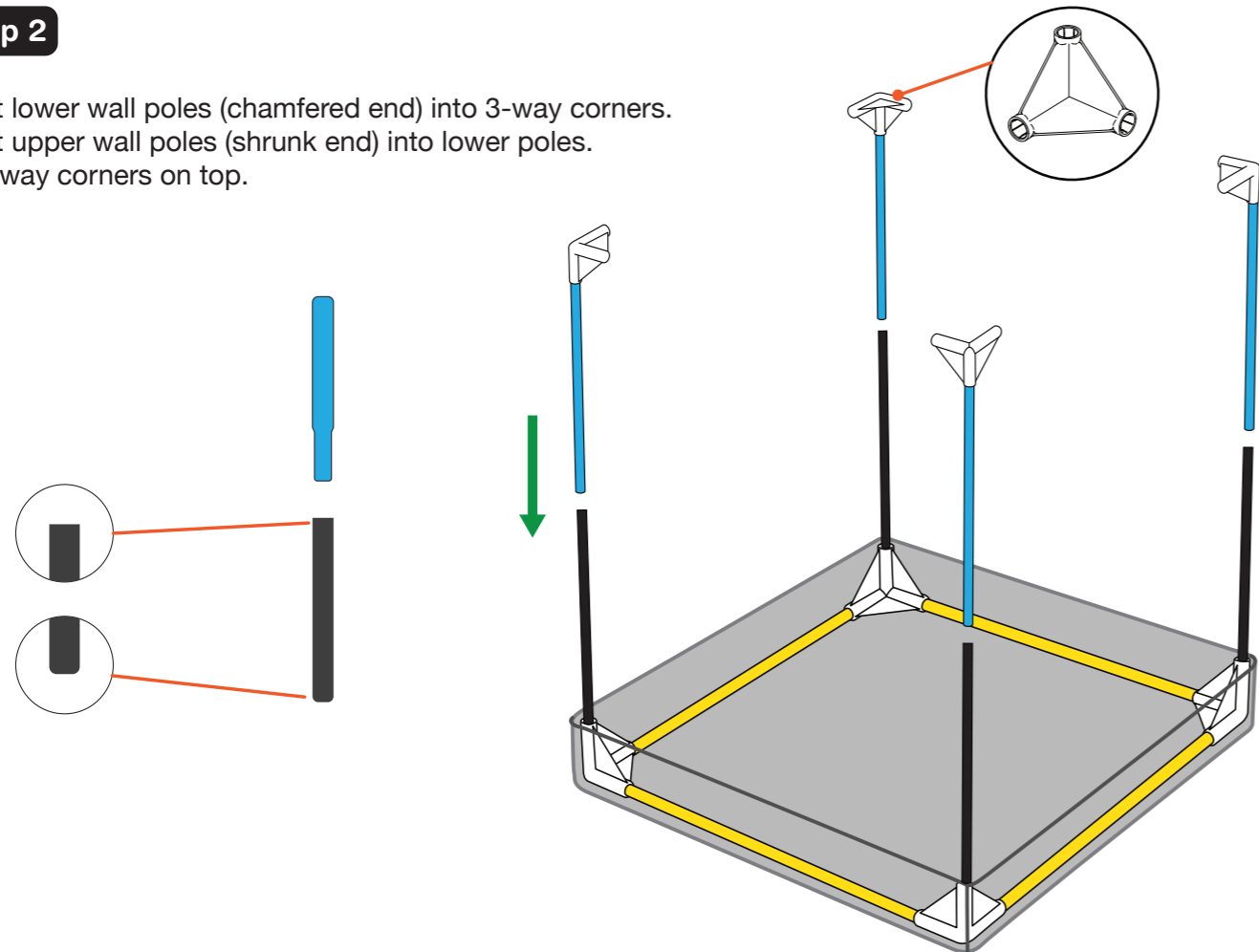
Insert ceiling poles into top 3-way corners.



### Step 2

Insert lower wall poles (chamfered end) into 3-way corners.  
Insert upper wall poles (shrunk end) into lower poles.  
Fit 3-way corners on top.

3-Way Corner



### Step 4

Lift tent over roof as shown.

